

DRS GUITAR RACK SYSTEM { or the "Kjjaüerberg" }

Thank you for purchasing your new DRS Guitar Rack System. We know you simply can't wait to organize your guitar collection!

BEFORE YOU BEGIN

1. Ensure all of the parts are included.
2. Inspect all components to ensure there is no damage or visual defects.

! IMPORTANT SAFETY INSTRUCTIONS

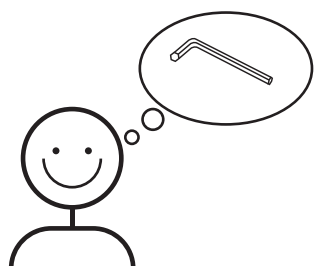
- Please ensure proper safety equipment is used at all times.
- Do not deviate from these instructions.
- Please keep these instructions for future use.
- This product is intended for indoor use only.

! WARNING

Preinstall the screws through the sides until they stick out enough to ensure proper alignment to the comb and base. Failure to properly align all of the parts can damage the unit and DRS Racks is not responsible for user error.

! NITRO WARNING

Due the extreme chemical variety of finishes DRS Racks is not responsible for any damage incurred to the finish of your guitar. We've tested our materials extensively with no ill effects (including nitro finishes available to us, urethane and conversion varnish) but strongly recommend exercising caution with valuable or delicate vintage finishes. If you are concerned we recommend white cotton pads to protect your instrument.

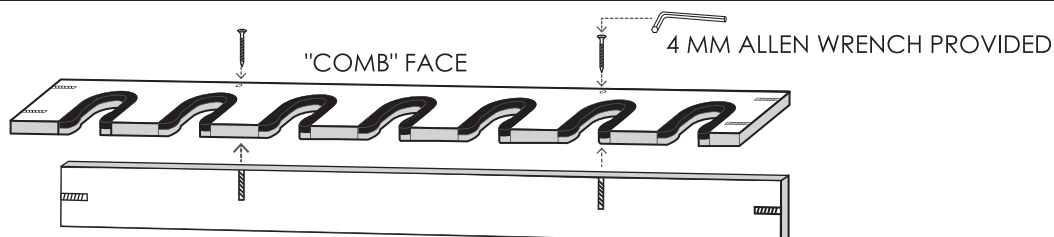


It's OK, call or email us and we can help.

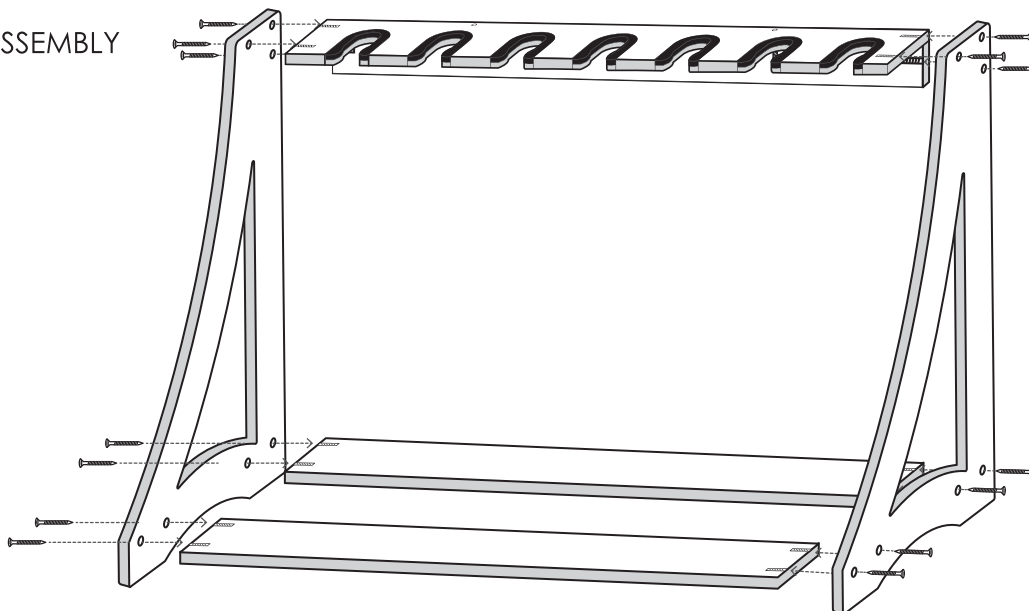
916-538-1425

doug@drs racks.com

COMB ASSEMBLY

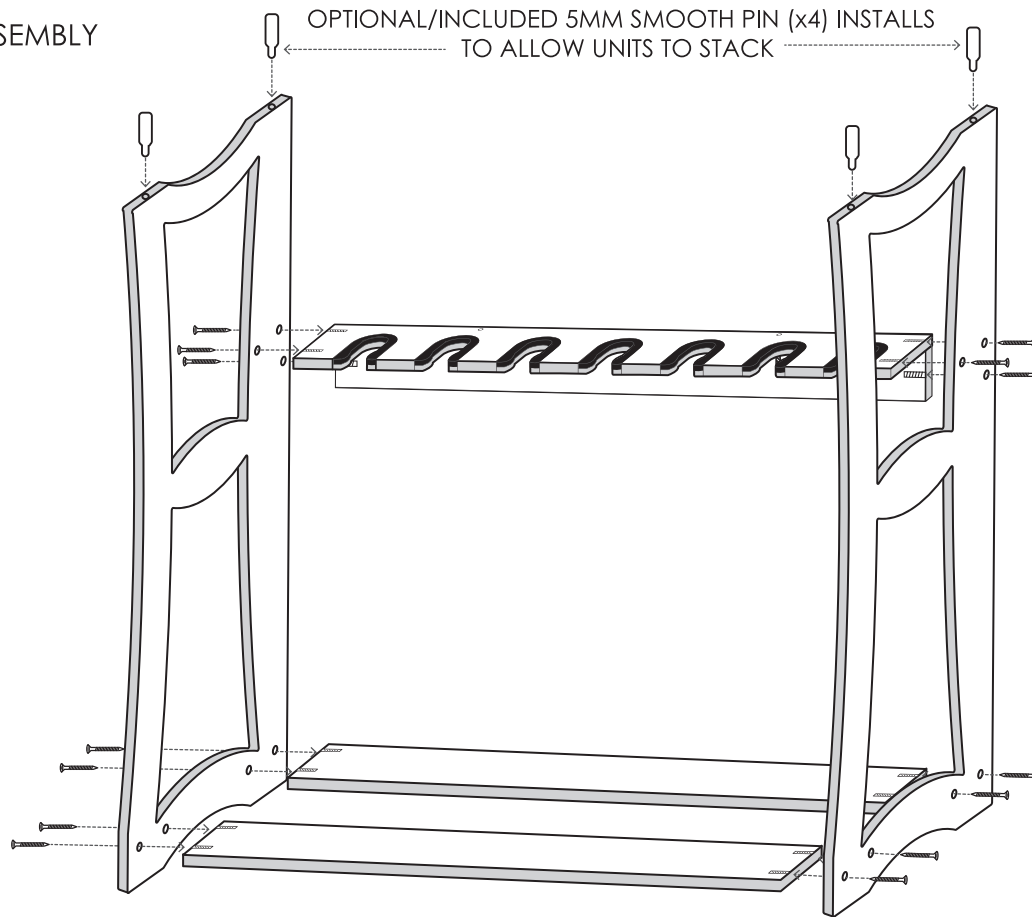


UNIT A ASSEMBLY



UNIT B

ASSEMBLY



UNIT A/B Combo

ASSEMBLY

